



POMTAVA

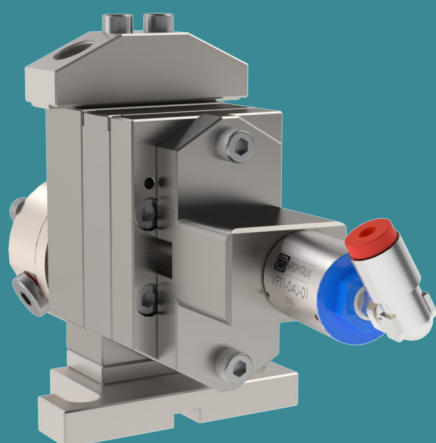
METERING GEAR PUMPS

DATA SHEET

1618-4-1



1618-4-2



Available flow rates (cc/rev)

0.3 / 0.6 / 1.2

1.8 / 2.4 / 3.0

Application fields

This pump is mainly fitted for water or solvent based automotive and industrial pump

Strong points

- All parts are in tempered stainless steel
- Maximum reduction of «dead zones» allowing for better flushing
- Robust, hardened drive shaft supported by 3 bearings and an axial thrust
- Centering pins making pump assembly easier and increasing its accuracy
- Pump cover 1618-4-2 with flushing holes for optional bypass block

Technical data

- Sealingsystem: Double lip seal and liquid barrier (FAR)
- Rotation speed: From 10min⁻¹ to 200min⁻¹, depending on the product involved
- Flow rate range: From 0.0005 l/min to 0.6 l/min (depending on pump size)
- Standard direction of rotation: Clockwise rotation (A)
- Allowed outlet pressure: Max. 15 bar
- Input and output: 2x Ø 6mm on the pump cover. Delivered with connecting block G1/4"
- Drive shaft diameter: Ø 10mm with 3mm key
- Drive shaft height: H=40mm
- Fixing distance: L=55mm

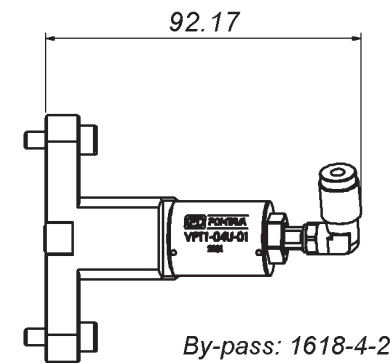
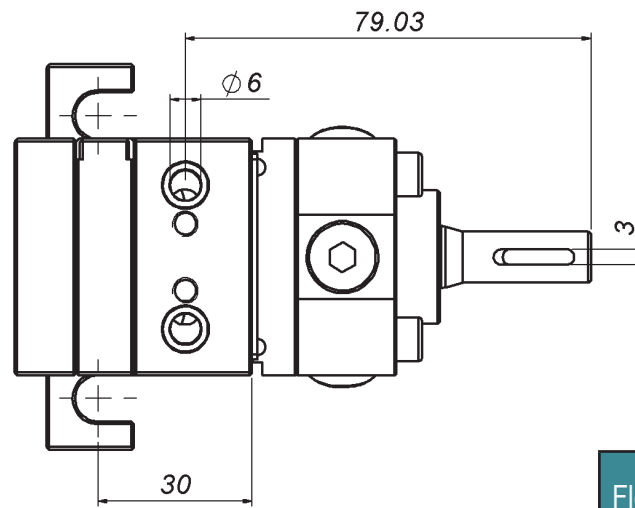
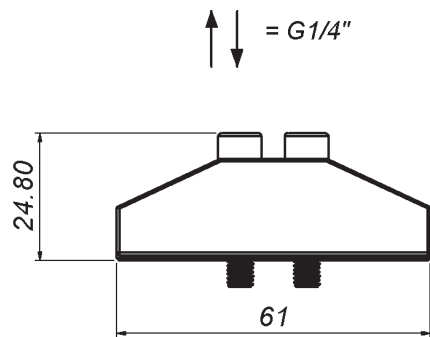
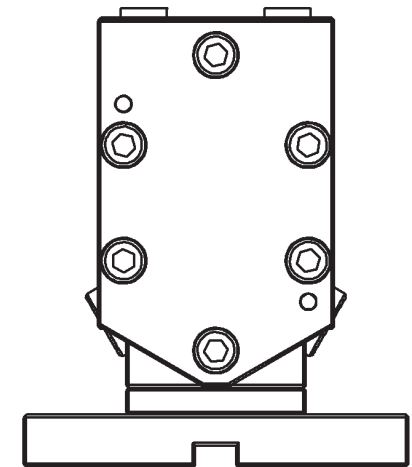
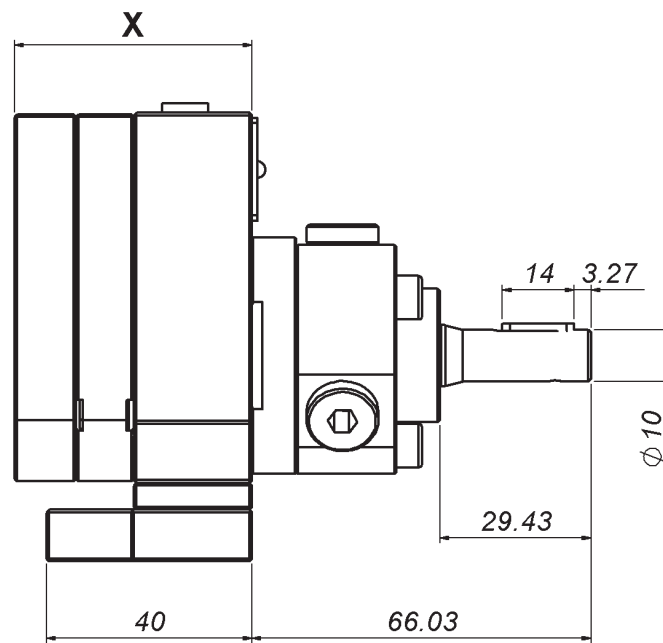
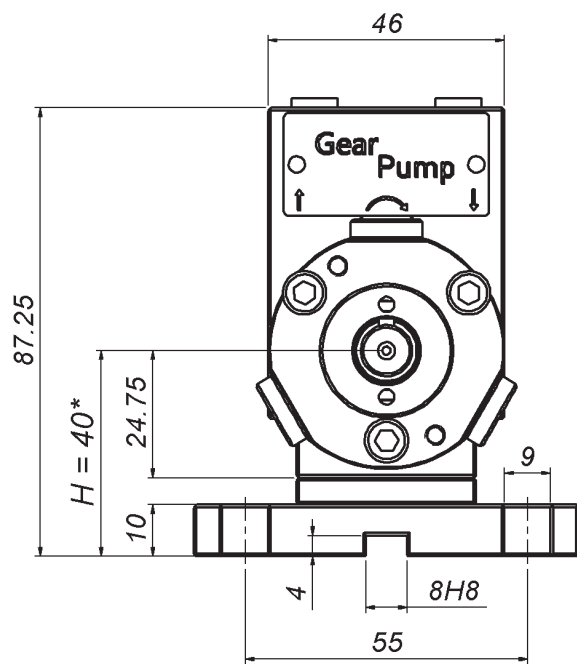
Available options / accessories

- Support H=51mm / L=80mm
- Pump available in ATEX certified version
- Bypass block (1618-4-2)
- Fittings on request
- Calibration certificate
- Pressure sensors
- Pressure regulators
- Integrated flow meter

Definition / Pump options

	1618	-4	-1	-1	/	A	/	0.3	/	S	/	R	/	T2	/	FAR	/	12	/	14	/	G	
I/O location																							
I/O on the pump body		-4																					
Pump flushability																							
Without flushing			-1																				
With flushing			-2																				
Alternative*																							
Model without bearing in the cover				-1																			
Rotation direction																							
Clockwise rotation						A																	
Anticlockwise rotation						Z																	
Clockwise rotation + Anticlockwise rotation						AZ																	
Cylinder capacity																							
0.3 cc/rev								0.3															
0.6 cc/rev								0.6															
1.2 cc/rev								1.2															
1.8 cc/rev								1.8															
2.4 cc/rev								2.4															
3.0 cc/rev								3.0															
Operation clearance																							
Reduced clearance, for low viscosity products										F													
Standard clearance, for the vast majority of products										S													
Increased clearance, for high viscosity or highly filled products										J													
Special clearance, specific to a special product										H													
Bypass option																							
Without bypass																							
With bypass												R											
Surface treatment																							
Without treatment																							
ADLC (Amorphous Diamond Like Carbon)														T2									
Sealing system																							
Lip seals + liquid barrier																					FAR		
Drive shaft diameter																							
Shaft ø10mm with 3mm key																						10	
Product connection																							
Connection block for 2 fittings G1/4"																							14
Connection block for 2 fittings G1/8"																							18
Connection block including housing for pressure transmitters																							W
Modification for difficult products*.																							
Without modification																							
With modification (can be G or Gx depending on the type of modification)																							Gx

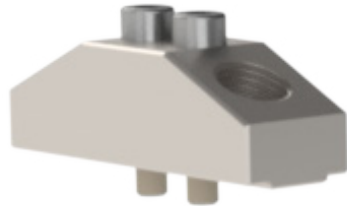
*To be defined with Pomtava
Bold line = standard Pomtava



Flow rate (cc/rev)	0.3	0.6	1.2	1.8	2.4	3.0
X (mm)	37.85	40.7	46.3	44.90	47.96	51.4

Accessories

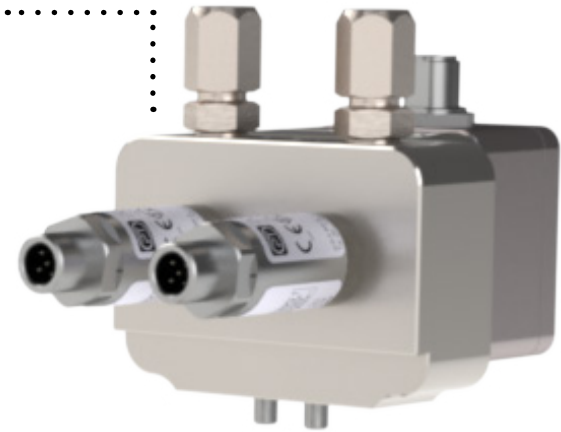
3202763-ASS



3202763-ASS



3207263-ASS



..... 3204203-ASS

