

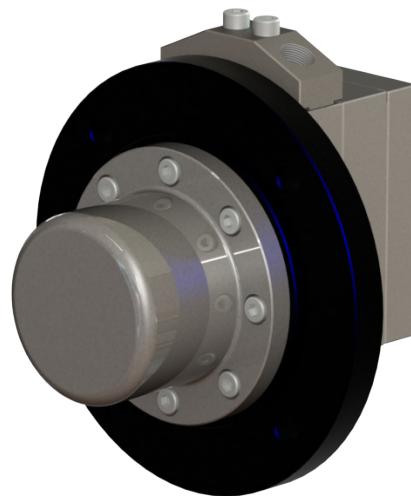
rUVolution - UV paint pump

Application fields

1K or 2K UV paints and other shear sensitive products

General overview

Our new rUVolution metering gear pump succeeds where all other gear pumps had failed so far. It is now finally possible to meter UV based paints continuously and pulsation free. rUVolution is designed in order to eliminate all big friction spots inside the pump which generated issues due to UV transformation. No sealing maintenance required thanks to its magnetic coupling. This pump is available in different outputs, with or without the driving motor.



Technical data

Drive shaft sealing :	magnetic coupling
Revolution speed :	up to 120 rpm <i>(depending on product involved)</i>
Metering accuracy :	± 3 % of nominal value
Metering repeatability :	< than 0.2 % of previous value
Input/Feeding pressure :	up to 5 bars
Output pressure :	up to 5 bars
Max. differential pressure :	2 bars
Admissible viscosity :	from 20 to 100 secDIN4
Direction of rotation :	clockwise or counter-clockwise rotation
Pump material :	heart tempered stainless steel
Surface treatment :	ADLC (amorphous diamond-like carbon)
Available outputs :	3 / 6 / 10 cc/rev
I/O port :	connecting block with I/O G1/4" on the pump body

Options / Accessories

- Connecting block with 2 threadings for pressure sensors
- Mounting bell
- Electrical motor (several kinds available)
- Different kind of fittings (straight or elbowed)



rUVolution

Pump dimension

