

Metering gear pumps

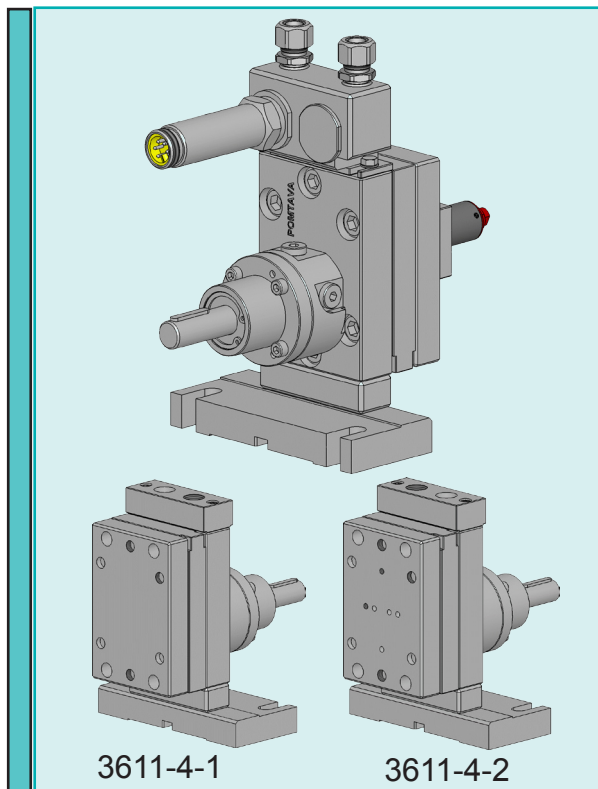
3611-4-1 / 3611-4-2

Application fields

This pump is mainly fitted for water or solvent based automotive and industrial paint.

Strong points

- All parts are in tempered stainless steel
- Reduction of “dead zones” allowing for a better flushing
- New sealing technology combining lip seals and liquid barrier
- Sealing options quickly interchangeable
- Strong, coated drive shaft, held in place with 2 bearings and a axial thrust
- Centering pins making pump assembly easier and increasing its accuracy
- Possibility to mount a bypass system (for type 3611-4-2)



Technical data

Sealing :	Lip seals and liquid barrier
Rotation speed :	From 10min ⁻¹ to 200min ⁻¹ , depending on the product involved
Standard rotation :	Clockwise rotation (A)
Output pressure :	Max. 15 bars
Input/Output :	2 holes Ø 10mm on the body of the pump. Delivered with connecting block G3/8"
Driving shaft diameter :	Ø16mm with a 5mm key
Drive shaft height :	H=79mm

Available outputs

6.0cc/rev 10.0cc/rev 16.0cc/rev 22.0cc/rev

Options

- **(T2)** Entirely treated with ADLC
- **(H51)** Stand H=51mm compatible with group 2
- **(H135)** Stand H=135mm compatible with group 4
- **(Z)** Counterclockwise rotation
- **(AZ)** Clockwise and counterclockwise rotation
- **(BB)** Bypass block (for type 3611-4-2)
- **(W)** Connecting block for 2 pressure sensors M28x1.5 (only with G1/4")

