

# Metering gear pumps

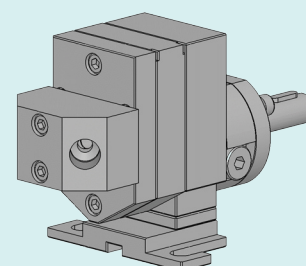
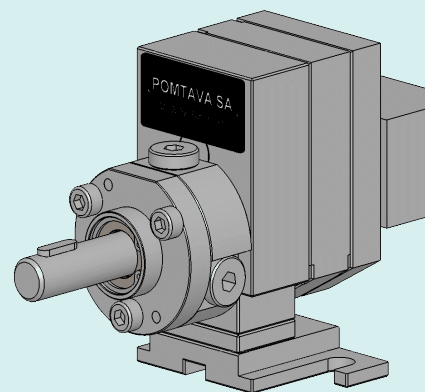
**1615-1-1**

## Overview

- All parts but the gears are in tempered stainless steel
- Gears are in PEEK
- New sealing technology combining lip seals and liquid barrier
- Sealing options quickly interchangeable
- Strong, coated drive shaft, held in place with 2 bearings and a axial thrust
- Centering pins making pump assembly easier and increasing its accuracy

## Application fields

Water, flavours, non-filled products with very low viscosity



1615-1-1

## Technical data

<b>Sealing :</b>	Lip seals and liquid barrier (16KA)
<b>Gears material :</b>	PEEK
<b>Surface treatment :</b>	All steel parts are treated with ADLC
<b>Rotation speed :</b>	From 10min <sup>-1</sup> to 100min <sup>-1</sup>
<b>Standard rotation :</b>	Clockwise rotation (A)
<b>Temperature :</b>	Max. 135°C
<b>Output pressure :</b>	Max. 15 bars
<b>Input/Output :</b>	2 holes Ø 6mm on the rear of the pump. Delivered with a connecting block G1/4"
<b>Driving shaft diameter :</b>	Ø12mm with a 4mm key
<b>Drive shaft height :</b>	H=40mm

## Available outputs

0.6 cc/rev    1.2cc/rev    1.8cc/rev    2.4cc/rev    3.0cc/rev

## Options

- **(H51)** Stand H=51mm
- **(Z)** Counterclockwise rotation
- **(AZ)** Clockwise and counterclockwise rotation
- **(AB38)** Connecting block G3/8"
- **(EB)** Teflon packing sealing

